



HUBCAP HEATING MODULE FOR WATER TANKS

GRBK

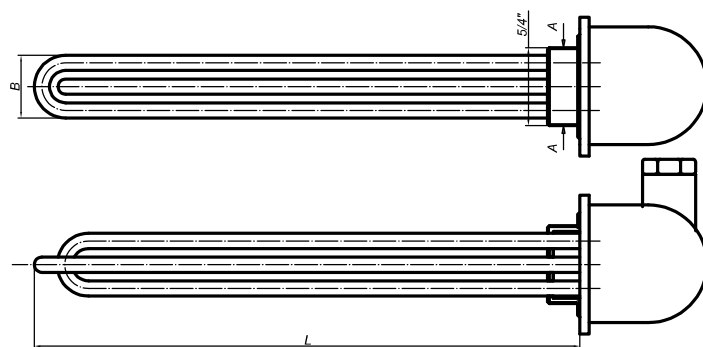
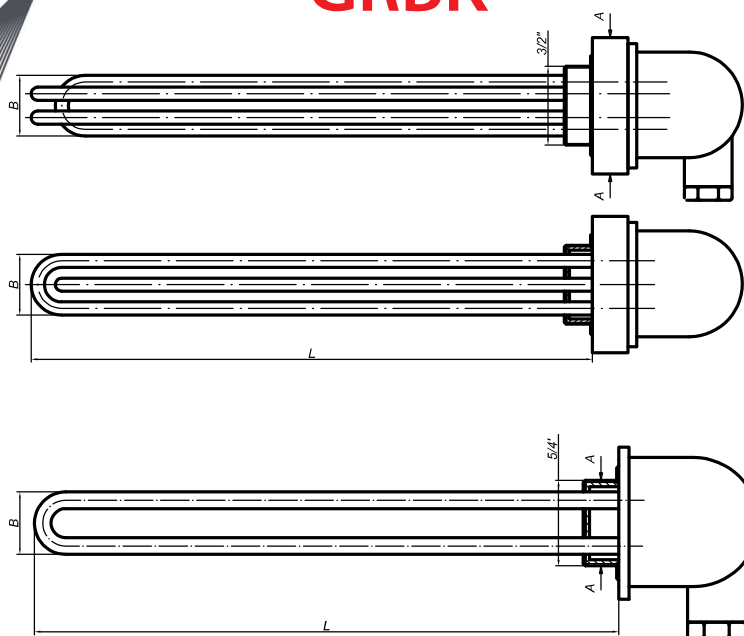
- electric module suitable for boilers, water heaters and central heating systems
- for medium and large-sized water tanks
- possibility of 230V/400V connection
- heating element made from copper nickel-plated pipe
- possibility of a remote control device installation
- fitted electric wires casing
- according to EU standards



HEATING ELEMENTS
HEATING MODULE



HUBCAP HEATING MODULE FOR WATER TANKS **GRBK**



| Lp. | L | B | D |
|-----|-----|----|------|
| 1 | 410 | 40 | 6/4" |
| 2 | 340 | 40 | 5/4" |
| 3 | 410 | 40 | 5/4" |
| 4 | 410 | 40 | 5/4" |
| 5 | 340 | 40 | 5/4" |
| 6 | 340 | 40 | 6/4" |

GRB heating module is an economical and reliable solution for boilers, water heaters and central heating systems. The module can be used in most water tanks available in the Polish market.

Copper pipe applied – do not use for stainless steel water tanks.

SPECIFICATIONS

| No. | Index | Name | Power | Volt. |
|-----|-------|---------------------------------|---------|-------|
| 1. | W023 | HEATING MODULE GRBK 3x2,0 U6/4" | 3x2000W | 230V |
| 2. | W037 | HEATING MODULE GRBK 1,4 U5/4" | 1400W | 230V |
| 3. | W038 | HEATING MODULE GRBK 2,0 U5/4" | 2000W | 230V |
| 4. | W039 | HEATING MODULE GRBK 2x2,0 U5/4" | 2x2000W | 230V |
| 5. | W052 | HEATING MODULE GRBK 2x1,4 U6/4" | 2x1400W | 230V |
| 6. | W060 | HEATING MODULE GRBK 3x1,4 U6/4" | 3x1400W | 230V |